

LBX Eurocard Cases

APPLICATIONS

These attractive and versatile housings offer a unique range of facilities for mounting standard Eurocards horizontally. There are fourteen sizes available in widths suitable for either 3U or 6U Eurocards, heights of 4HP, 6HP, 12HP or 24HP and depths suitable for 160mm or 220mm Eurocards. Standard IEC 297-3 front panels may be fitted to the LBX allowing card modules from subrack systems to be used in free standing applications.

CONSTRUCTION

Four corner mouldings form the basis of the construction. These assemble the top and base panels to the two chassis side plates with the aid of eight screws. The mouldings also allow the LBX front panels to be either captured in a slot or fixed using screws provided. Both the top and base panels include 6,3mm (.25 inch) spade terminals which provide for earth continuity within the enclosure. All sizes are provided with nonslip self-adhesive feet. The 220mm card compatible versions allow 160mm boards and connector carriers to be assembled, thus giving space for other components.

CONNECTOR CARRIERS

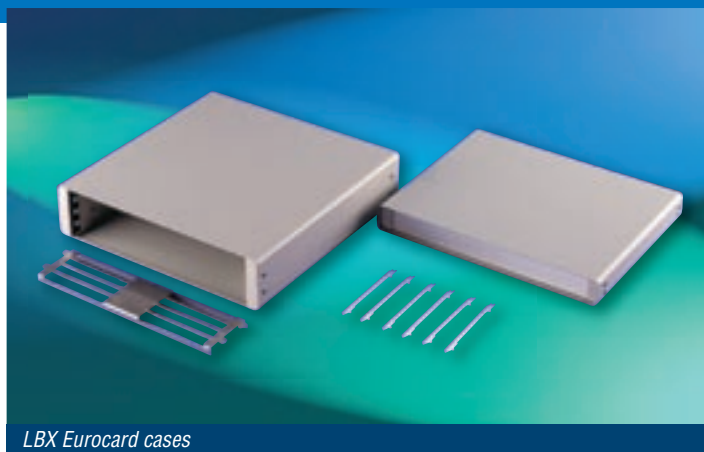
For interconnections between cards there is a full range of connector carrier plates designed for mounting DIN 41612 connectors. Supplied singly.

CHASSIS PLATES

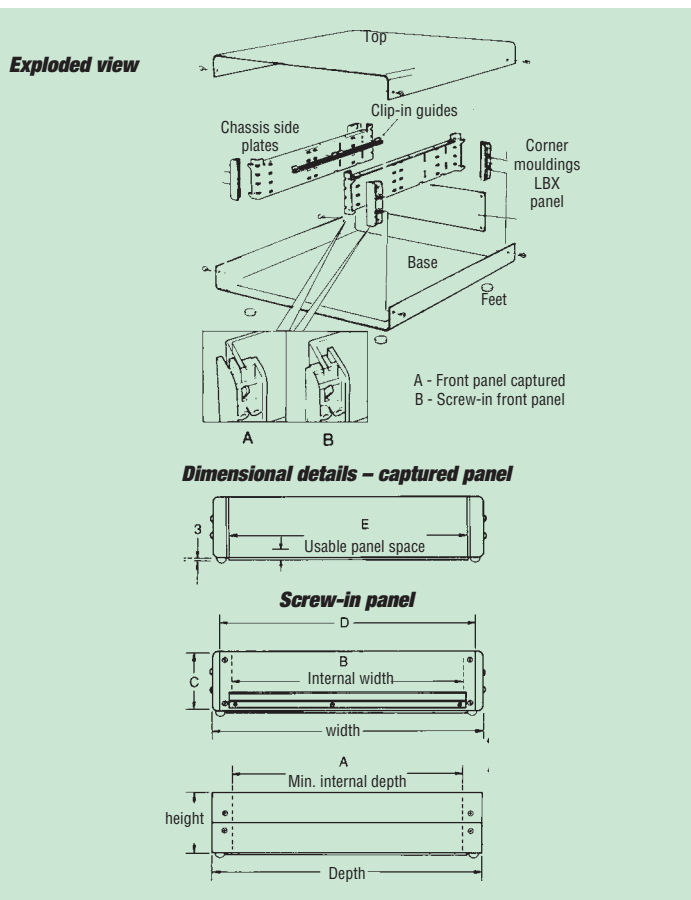
Zintec steel chassis plates are available for the direct mounting of power supplies, cards and other components. Once attached to the chassis side plate a secure sub-assembly is provided. This facilitates system assembly and testing prior to fitting the top and base panels, and thus reduces the risk of paint damage. Supplied singly.

LBX FRONT PANELS

A single LBX panel is provided with each case and additional LBX panels are available if an existing card module is not being used. Supplied singly.



LBX Eurocard cases



Ordering information

| Height | Case dimensions | | | Panel dimensions | | | | E | Order code | Order codes – accessories | | |
|-------------|-----------------|------------|--------------|------------------|-------|-------|-------|-------|------------------|---------------------------|-------------------|------------------|
| | Width | Card depth | Actual depth | A | B | C | D | | | LBX panel kit | Connector carrier | Chassis plate |
| 4HP (22,2) | 3U (143,7) | 220 | 278,6 | 262,6 | 103,0 | 19,9 | 128,5 | 110,9 | 114-52006 | 114-52097 | – | – |
| | 6U (277,1) | 220 | 278,6 | 262,6 | 236,4 | 19,9 | 261,9 | 244,3 | 114-52007 | – | – | – |
| 6HP (32,4) | 3U (143,7) | 160 | 218,6 | 262,6 | 103,0 | 30,1 | 128,5 | 110,9 | 114-52008 | 114-52098 | 114-52090 | 114-52020 |
| | 3U (143,7) | 220 | 278,6 | 262,6 | 236,4 | 30,1 | 128,5 | 110,9 | 114-52010 | 114-52098 | 114-52090 | – |
| | 6U (277,1) | 160 | 218,6 | 262,6 | 103,0 | 30,1 | 261,9 | 244,3 | 114-52009 | 114-52102 | – | – |
| | 6U (277,1) | 220 | 278,6 | 262,6 | 236,4 | 30,1 | 261,9 | 244,3 | 114-52011 | 114-52102 | – | – |
| 12HP (32,4) | 3U (143,7) | 160 | 218,6 | 262,6 | 103,0 | 60,6 | 128,5 | 110,9 | 114-52012 | 114-52099 | 114-52091 | 114-52020 |
| | 3U (143,7) | 220 | 278,6 | 262,6 | 236,4 | 60,6 | 128,5 | 110,9 | 114-52014 | 114-52099 | 114-52091 | – |
| | 6U (277,1) | 160 | 218,6 | 262,6 | 103,0 | 60,6 | 261,9 | 244,3 | 114-52013 | 114-52103 | 114-52095 | – |
| | 6U (277,1) | 220 | 278,6 | 262,6 | 236,4 | 60,6 | 261,9 | 244,3 | 114-52015 | 114-52103 | 114-52095 | – |
| 24HP (32,4) | 3U (143,7) | 160 | 218,6 | 262,6 | 103,0 | 121,5 | 128,5 | 110,9 | 114-52016 | – | – | 114-52020 |
| | 3U (143,7) | 220 | 278,6 | 262,6 | 236,4 | 121,5 | 128,5 | 110,9 | 114-52018 | – | – | – |
| | 6U (277,1) | 160 | 218,6 | 262,6 | 103,0 | 121,5 | 261,9 | 244,3 | 114-52017 | – | – | – |
| | 6U (277,1) | 220 | 278,6 | 262,6 | 236,4 | 121,5 | 261,9 | 244,3 | 114-52019 | – | – | – |

LBX Eurocard Cases

NOTES WHEN ORDERING

*** There are no 24HP connector carriers. 24HP cases will accept eight Eurocards and two connector carriers. Each of the connector carriers will interconnect four of the eight Eurocards. This allows a combination of four 160mm and 220mm boards to be fitted into the 220mm LBX. Alternatively eight boards of either 160mm or 220mm depths may be fitted. Therefore, order the following connector carriers to interconnect boards in a 24HP case.

Two 114-52095F connector carriers for 24HP x 6U units.

Two 114-52091G connector carriers for 24HP x 3U units.

BOARD PITCHING ★

4HP units will accept one Eurocard

6HP units will accept two Eurocards on a 15,24 pitch

12HP units will accept four Eurocards on a 15,24 pitch

24HP units will accept eight Eurocards on a 15,24 pitch

CARD GUIDES

Clip-in card guides are also available for mounting Eurocards directly to the chassis side plates. Two guides are required for each 160mm card and four guides for 220mm cards. Card guides are supplied in packets of 20.

Ordering information

| Description | Qty. | Order code |
|-------------|------|------------|
| Card guides | 20 | 114-52172 |

PCB ACCESSORIES

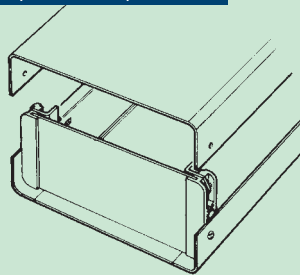
A range of three types of PCB accessories is available for mounting boards in the housing. These are sold in packets of 10.

See page 30 for full dimensional information.

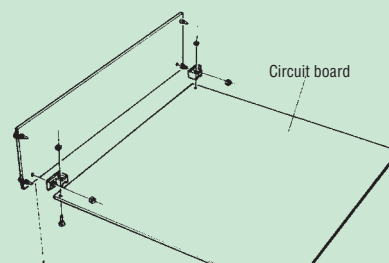
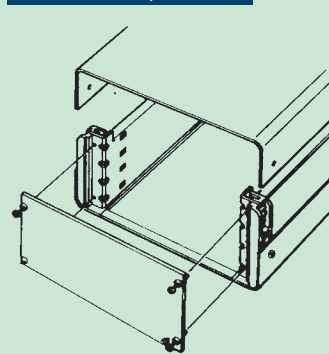
Ordering information

| Description | Qty. | Order code |
|-------------------|------|------------|
| Combination guide | 10 | 75-38125 |
| PCB Mounting clip | 10 | 75-38127 |
| Self-tapping boss | 10 | 75-38126 |

Captured front panel



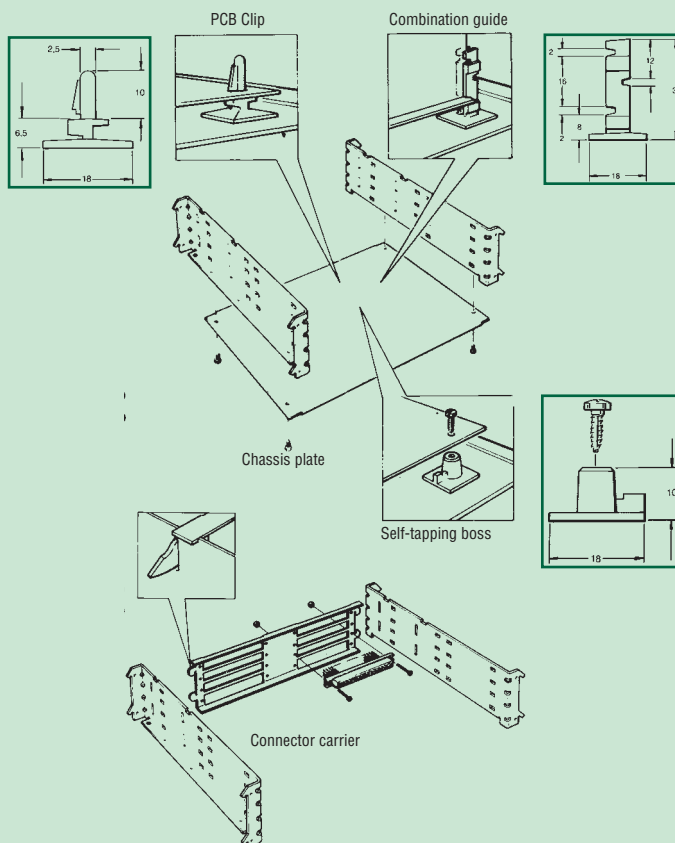
Screw-in front panel



Internal base to first board position 6,09 H

In pre-marked positions
drill holes ø3mm

LBX front panels and handles



PCB accessories